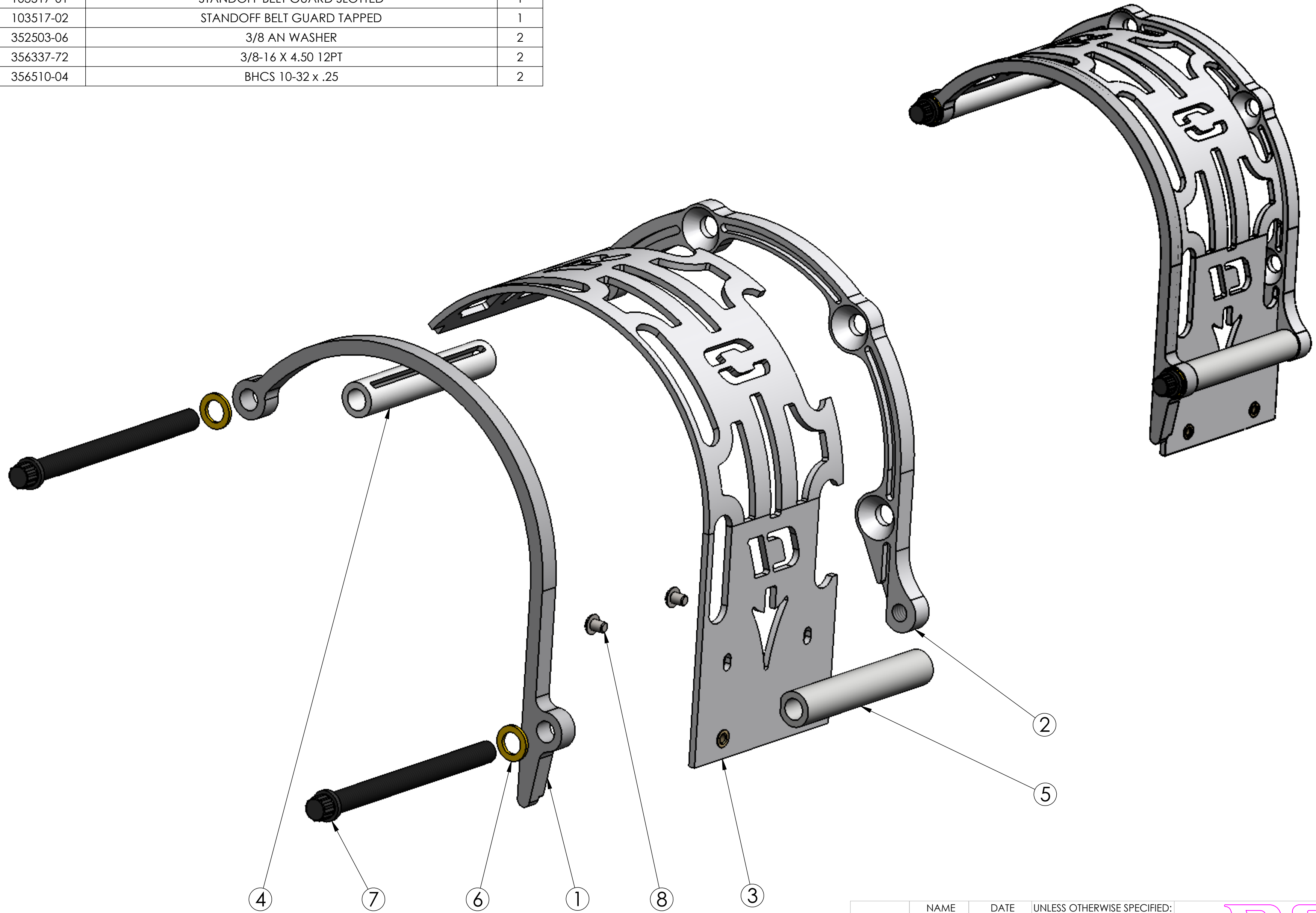



ITEM	PART NO.	DESCRIPTION	QTY.
1	103507-01	FRONT BRACE ALL BELT GUARDS	1
2	103507-10	FACE PLATE SSI 3 HOLE AND KOBELCO BLOWER BELT GUARD	1
3	103512-05	TOP GUARD SSI 3 HOLE	1
4	103517-01	STANDOFF BELT GUARD SLOTTED	1
5	103517-02	STANDOFF BELT GUARD TAPPED	1
6	352503-06	3/8 AN WASHER	2
7	356337-72	3/8-16 X 4.50 12PT	2
8	356510-04	BHCS 10-32 x .25	2



NAME	DATE	UNLESS OTHERWISE SPECIFIED:	 <p>TEL: 530-292-3133 - FAX: 530-292-3738</p>
DRAWN BY: Steve	11/16/2006	DIMENSIONS ARE IN INCHES TOLERANCES: .XX = ± .005 .XXX = ± .001 .XXXX = ± .0003	
WEIGHT: 1.130		ANGULAR: ± .5° BREAK SHARP EDGES .005 MAX	
MATERIAL:			
FINISH:	BLOWER BELT GUARD SSI 3 HOLE - KOBELCO		
HEAT TREAT:	PART. NO. 103507-0010	ENGINEERING INCORPORATED	SIZE C REV
DWG LOCATION: F:\Doc_Control\103507-0010 BLOWER BELT GUARD SSI 3 HOLE - KOBELCO		SCALE: 1:1	
DWG FILE: 103507-0010 BLOWER BELT GUARD SSI 3 HOLE - KOBELCO		SHEET 1 OF 1	
MODEL LOCATION: F:\Doc_Control\103507-0010 BLOWER BELT GUARD SSI 3 HOLE - KOBELCO		PART. NO. 103507-0010	
MODEL FILE: 103507-0010 BLOWER BELT GUARD SSI 3 HOLE - KOBELCO			