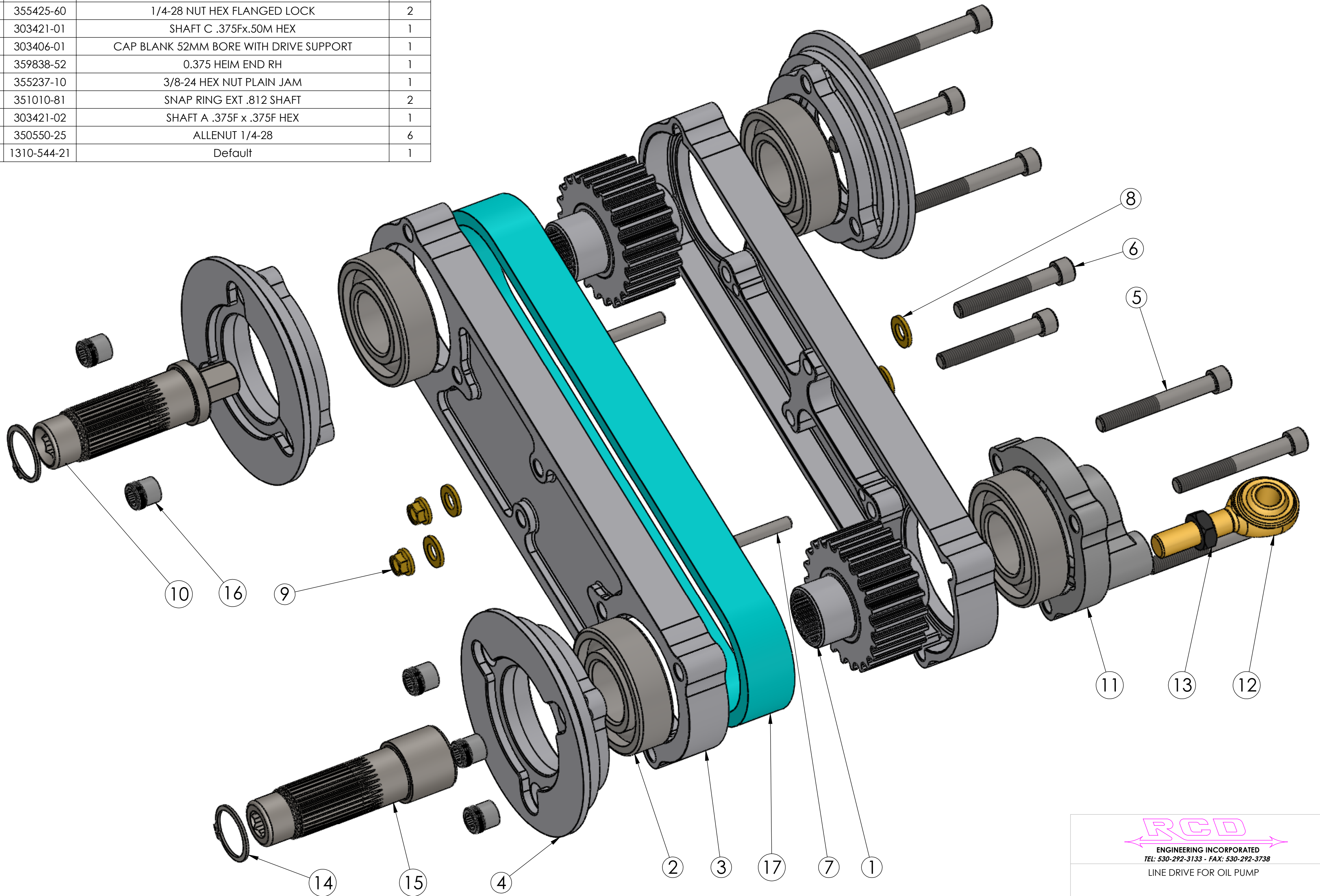


| ITEM | PART NO. | DESCRIPTION | QTY. |
|------|-------------|--|------|
| 1 | 303431-22 | SPROCKET 22T 8MGT 21mm WIDE. | 2 |
| 2 | 350525-05 | 62 BALL BRG 25 x 52 x 15 | 4 |
| 3 | 303411-01 | LINE DRIVE HOUSING | 2 |
| 4 | 500300-01 | BAND CLAMP ADPT 3.625 | 3 |
| 5 | 357325-32 | SHCS 1/4-28 x 2.00 | 6 |
| 6 | 356331-28 | SHCS 1/4-28 x 1.75 | 2 |
| 7 | 353512-16 | DP 3/16 x 1.0 | 2 |
| 8 | 352503-04 | 1/4 AN WASHER | 4 |
| 9 | 355425-60 | 1/4-28 NUT HEX FLANGED LOCK | 2 |
| 10 | 303421-01 | SHAFT C .375Fx.50M HEX | 1 |
| 11 | 303406-01 | CAP BLANK 52MM BORE WITH DRIVE SUPPORT | 1 |
| 12 | 359838-52 | 0.375 HEIM END RH | 1 |
| 13 | 355237-10 | 3/8-24 HEX NUT PLAIN JAM | 1 |
| 14 | 351010-81 | SNAP RING EXT .812 SHAFT | 2 |
| 15 | 303421-02 | SHAFT A .375F x .375F HEX | 1 |
| 16 | 350550-25 | ALLENUT 1/4-28 | 6 |
| 17 | 1310-544-21 | Default | 1 |




ENGINEERING INCORPORATED
 TEL: 530-292-3133 - FAX: 530-292-3738
 LINE DRIVE FOR OIL PUMP