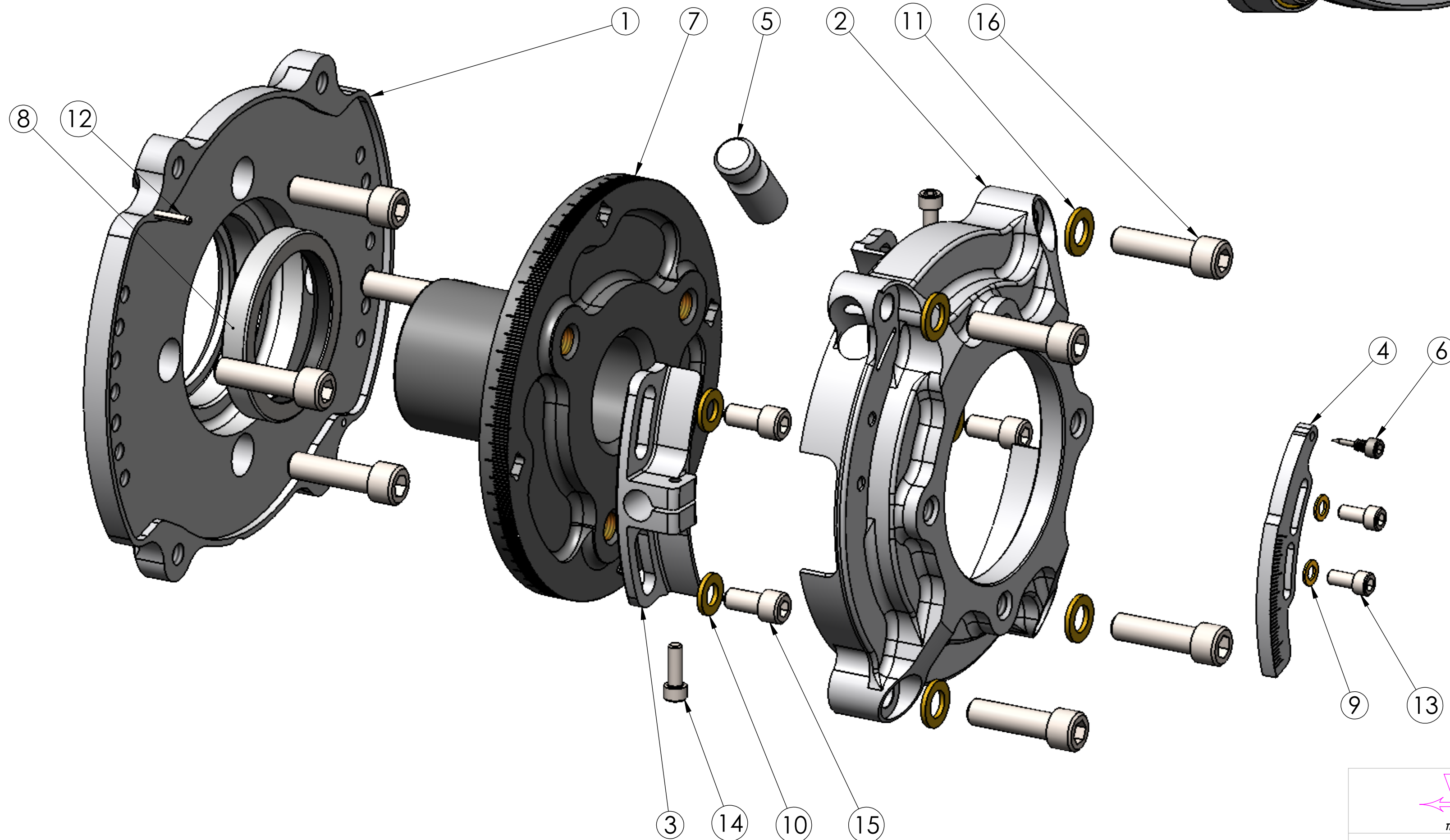
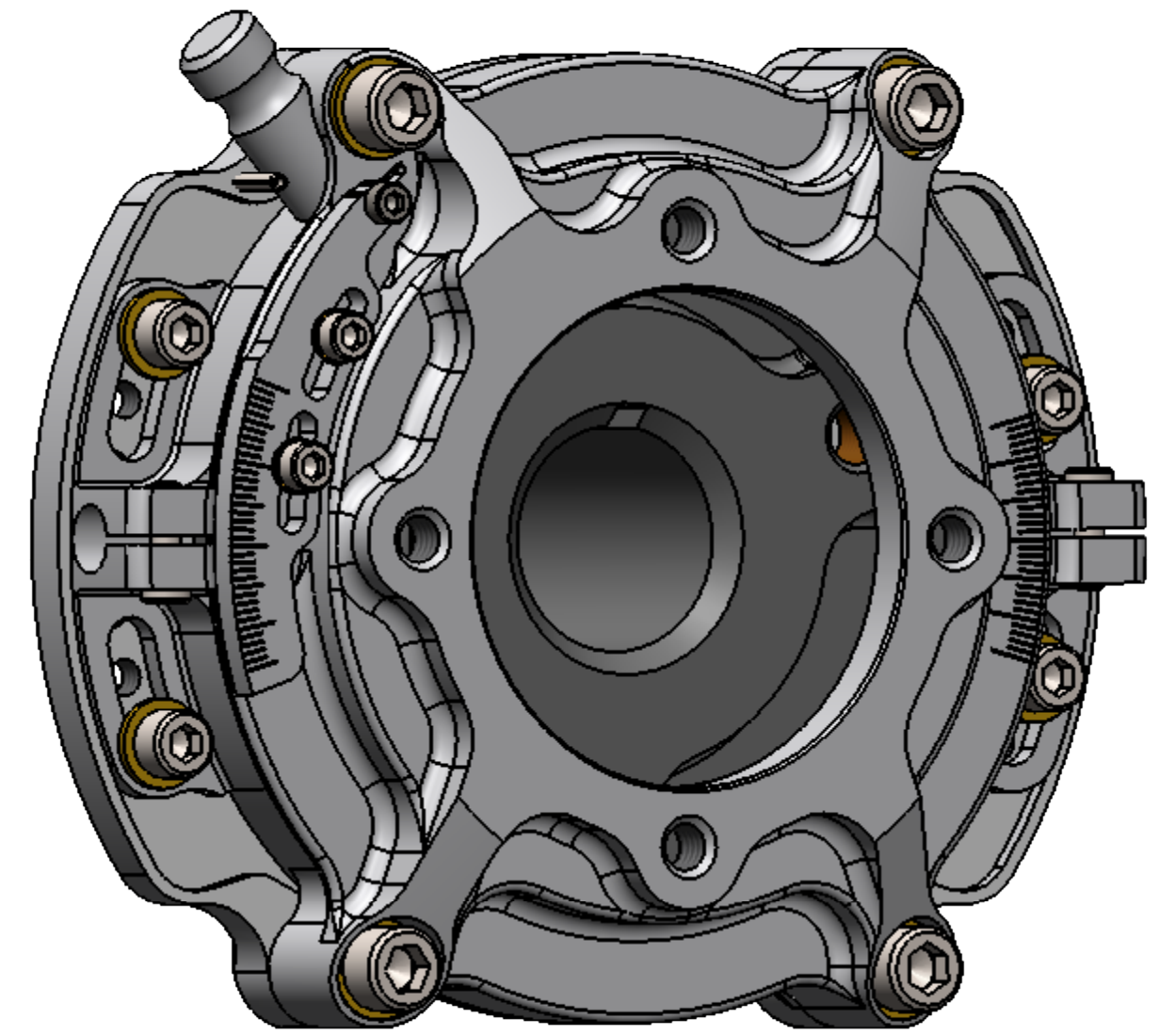


ITEM	PART NO.	DESCRIPTION	QTY.
1	202103-05	BASE ENCLOSED CRANK TRIGGER SBC WET BELT DRIVE	1
2	202105-03	COVER ENCLOSED CRANK TRIGGER	1
3	202109-09	PICKUP HOLDER ENCLOSED CRANK TRIGGER	2
4	202109-15	POINTER BRACKET	1
5	202109-19	POINTER PLUG	1
6	202109-21	POINTER PIN	1
7	202205-10	CRANK HUB SBC TRIGGER S-W GEAR DRIVE	1
8	351505-44	1.75 X 2.25 X 0.313 SEAL NEOPRENE 1 LIP	1
9	352503-02	#8 AN WASHER	2
10	352503-04	1/4 AN WASHER	4
11	352503-05	5/16 AN WASHER	4
12	353531-12	3/32 X 0.75 SPRING PIN	1
13	357308-06	8-32 X 0.375 SHCS	2
14	357308-08	8-32 X 0.50 SHCS	2
15	357425-08	0.25-20 X 0.50 SHCS	4
16	357431-18	0.3125-18 X 1.125 SHCS	8



ENCLOSED CRANK TRIGGER SBC WET BELT SUMMERS  
SHAVER GD