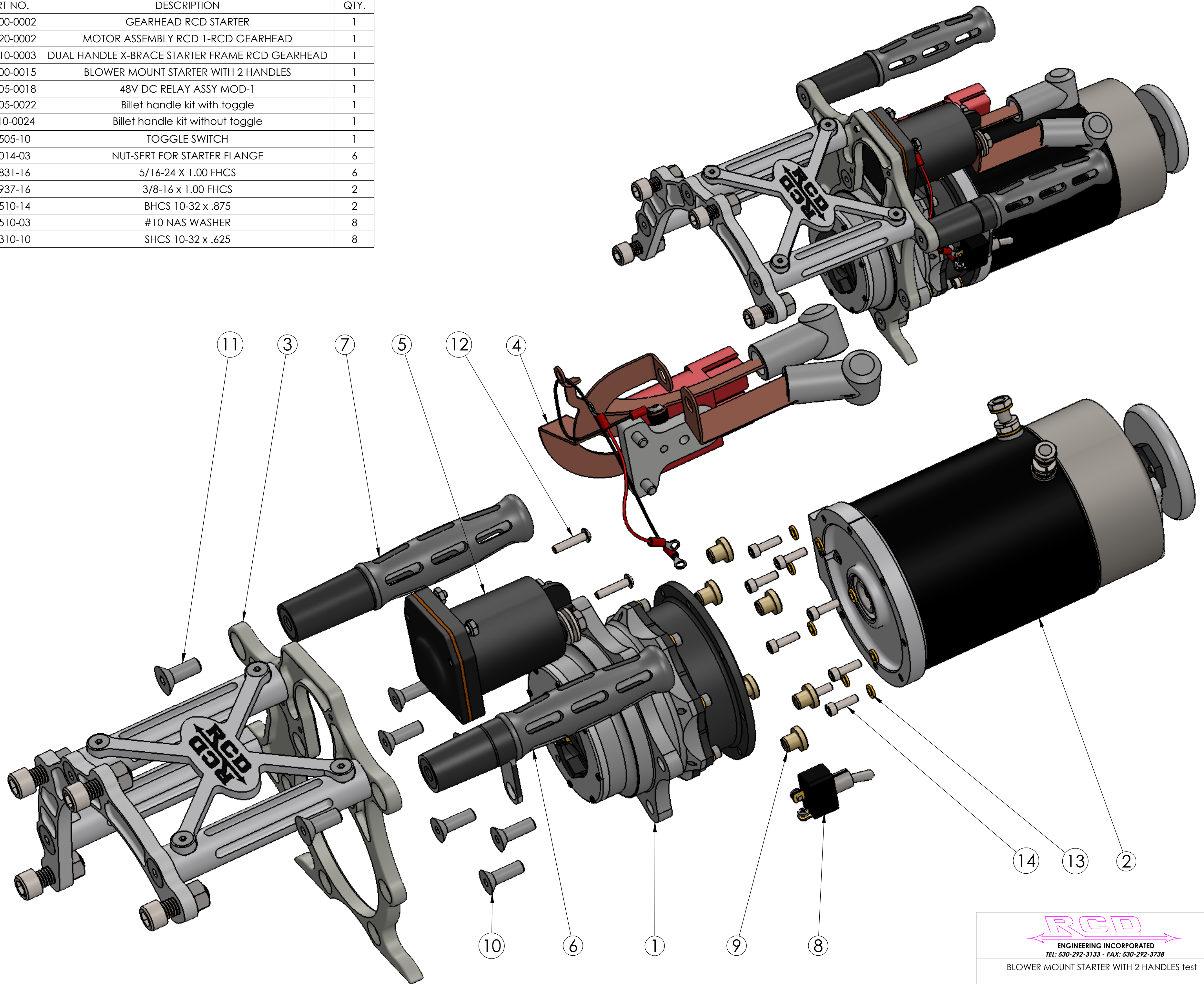


ITEM	PART NO.	DESCRIPTION	QTY.
1	102000-0002	GEARHEAD RCD STARTER	1
2	101520-0002	MOTOR ASSEMBLY RCD 1-RCD GEARHEAD	1
3	102510-0003	DUAL HANDLE X-BRACE STARTER FRAME RCD GEARHEAD	1
4	100500-0015	BLOWER MOUNT STARTER WITH 2 HANDLES	1
5	102505-0018	48V DC RELAY ASSY MOD-1	1
6	102505-0022	Billet handle kit with toggle	1
7	102510-0024	Billet handle kit without toggle	1
8	102505-10	TOGGLE SWITCH	1
9	102014-03	NUT-SERT FOR STARTER FLANGE	6
10	356831-16	5/16-24 X 1.00 FHCS	6
11	356937-16	3/8-16 x 1.00 FHCS	2
12	356510-14	BHCS 10-32 x .875	2
13	352510-03	#10 NAS WASHER	8
14	357310-10	SHCS 10-32 x .625	8



ENGINEERING INCORPORATED
 TEL: 530-292-3133 - FAX: 530-292-3738
 BLOWER MOUNT STARTER WITH 2 HANDLES test