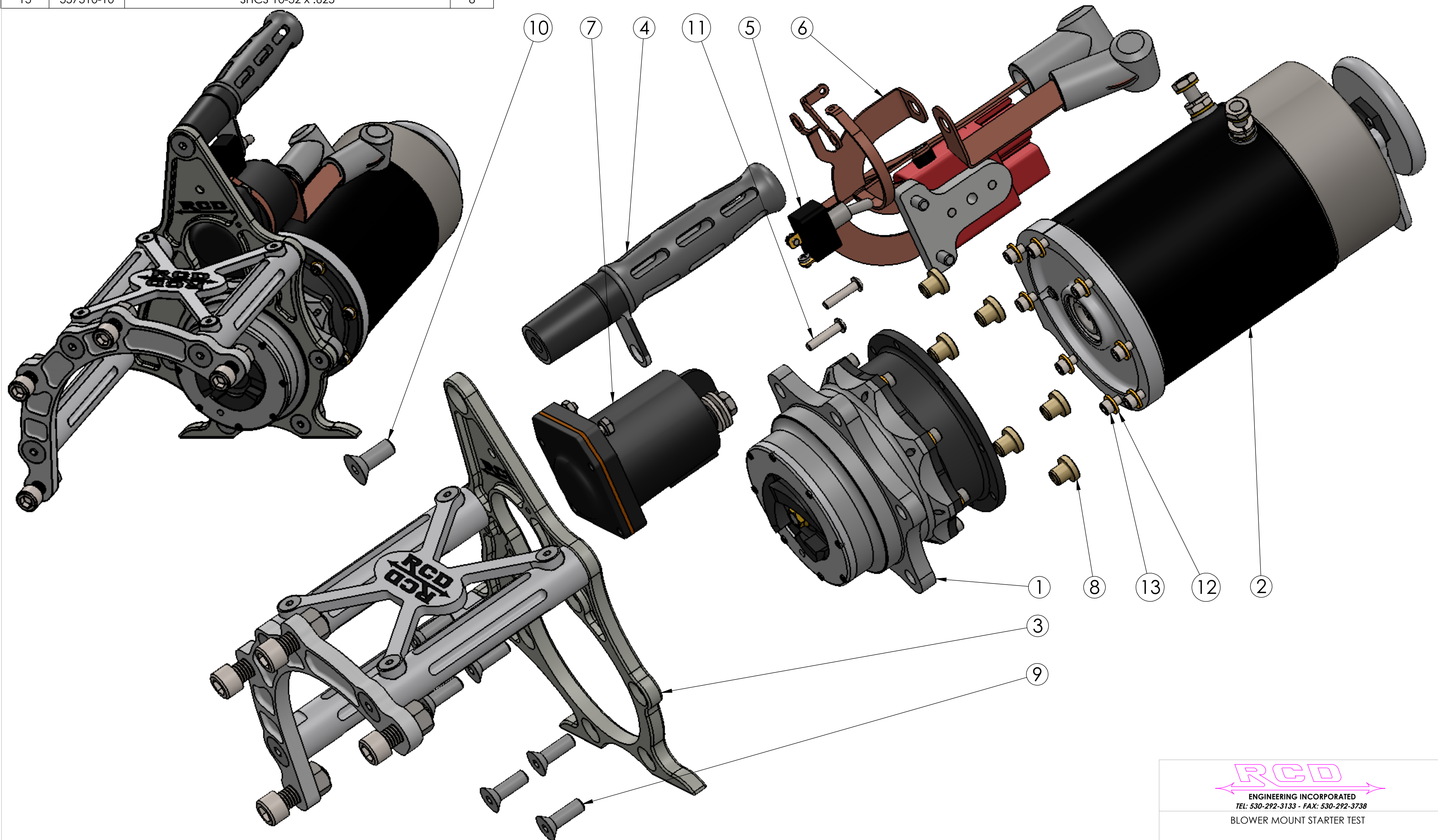


ITEM	PART NO.	DESCRIPTION	QTY.
1	102000-0002	GEARHEAD RCD STARTER	1
2	101520-0002	MOTOR ASSEMBLY RCD 1-RCD GEARHEAD	1
3	102510-0005	X-BRACE STARTER FRAME LONG 6IN	1
4	102505-0022	Billet handle kit with toggle	1
5	102505-10	TOGGLE SWITCH	1
6	102505-0014	STARTER BUSS BAR-PLUG ASSY-11	1
7	102505-0018	48V DC RELAY ASSY MOD-1	1
8	102014-03	NUT-SERT FOR STARTER FLANGE	6
9	356931-16	5/16-18 X 1.00 FHCS	6
10	356937-16	3/8-16 x 1.00 FHCS	1
11	356510-14	BHCS 10-32 x .875	2
12	352510-04	1/4 X 0.60 NAS WASHER	8
13	357310-10	SHCS 10-32 x .625	8




ENGINEERING INCORPORATED
 TEL: 530-292-3133 - FAX: 530-292-3738
 BLOWER MOUNT STARTER TEST