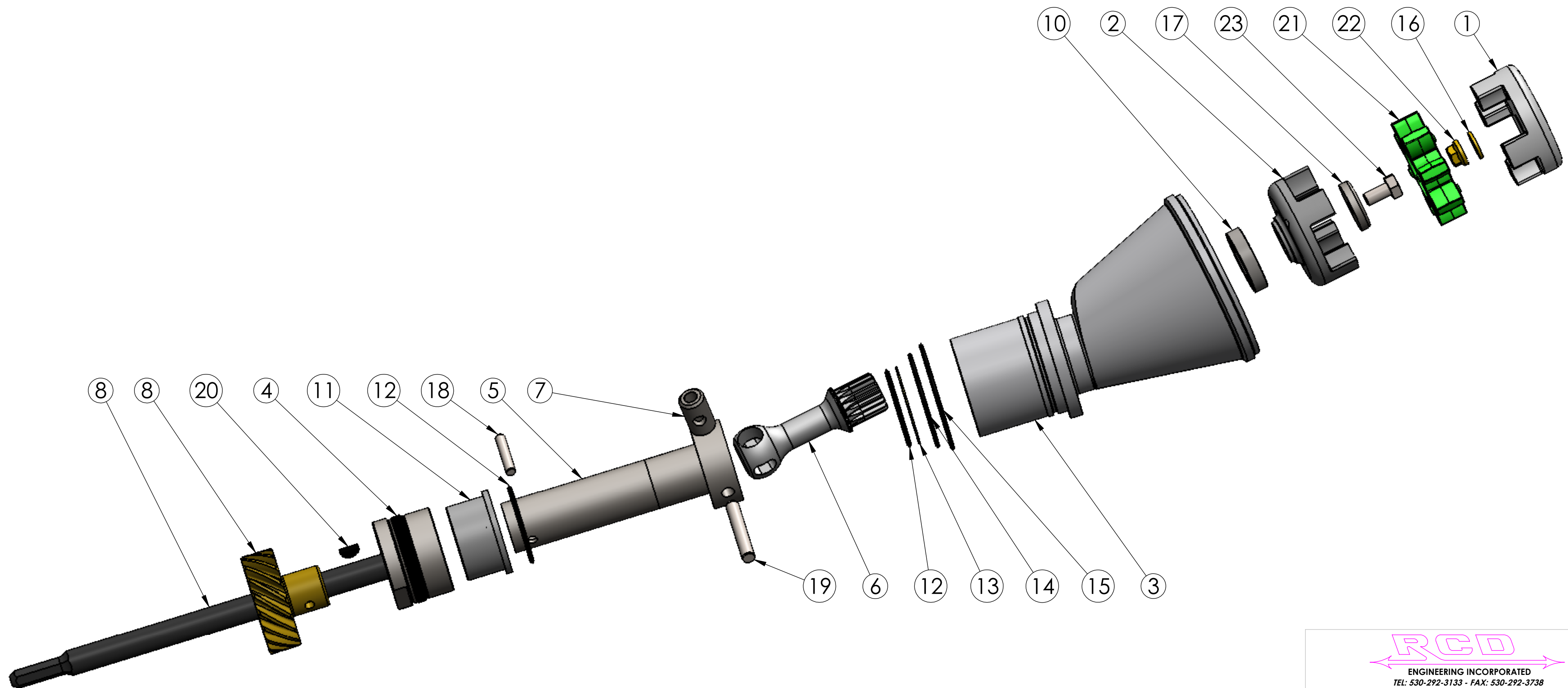
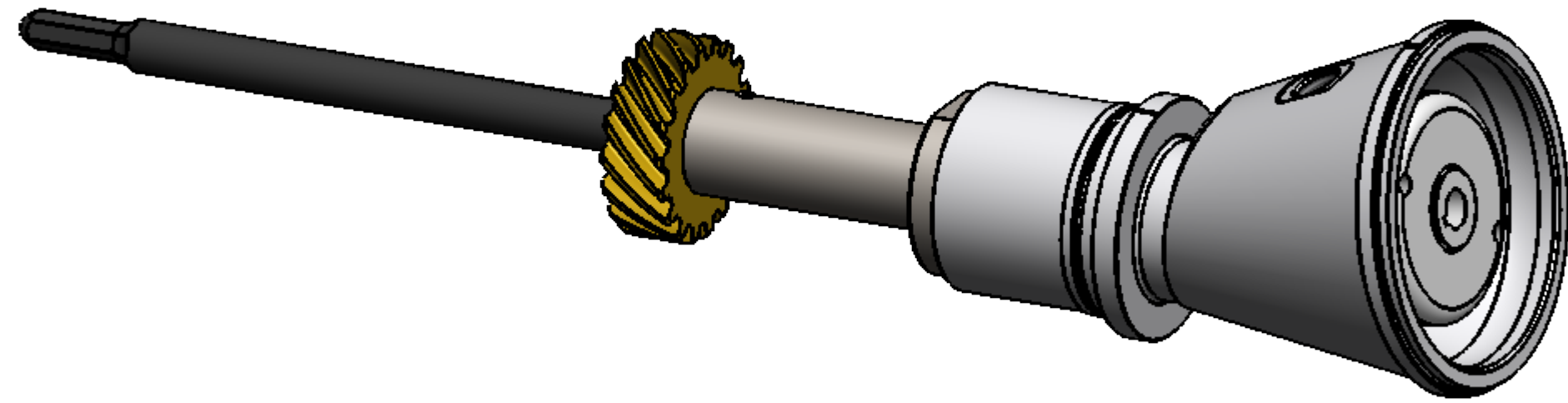


ITEM	PART NO.	DESCRIPTION	QTY.
1	301830-02	COUPLER HALF MSD MAGNETO	1
2	302507-14	COUPLER HALF ROTEX SPLINED w-magnet pocket	1
3	303011-01	HOUSING ANGLED MAG DRIVE W-CONTAINED THRUST	1
4	303011-05	THRUST BEARING RETAINING NUT	1
5	303021-01	U-JOINT CUP INPUT SHAFT WITH CONTAINED THRUST 426 CHRYSLER	1
6	303021-04	U-JOINT BALL ALL ANGLED MAG DRIVES SPLINED	1
7	303021-06	U-JOINT PIN 0.5 DIAMETER	1
8	303021-07	OIL PUMP DRIVE SHAFT ANGLED MAG DRIVE 481X AND 426 CHRYSLER	1
8	303021-09	INPUT GEAR FOR MAG DRIVE W-CONTAINED THRUST 481X TFX BAE 426	1
10	350522-13	61804 BRG 20 x 32 x 7	1
11	350575-20	350575-20 ROLLER BRG WITH THRUST FACE	1
12	350590-36	Needle Thrust Brg 1.0 x 1.562 x .078	2
13	350592-36	TRA-1625 THRUST WASHER	1
14	351550-31	031 'O' RING 0.07 X 1.75	1
15	351550-33	033 'O' RING 0.07 X 2.00	1
16	352503-05	5/16 AN WASHER	1
17	352504-04	WASHER 0.2 THK 0.98 DIA W-C-BORE	1
18	353512-16	DP 3/16 x 1.00	1
19	353513-24	1/4 x 1.25 DOWEL PIN	1
20	354510-14	WOODRUFF KEY #403	1
21	354910-25	ROTEX SPYDER #24 GREEN	1
22	355431-10	5/16-24 NUT HEX FLANGED LOCK	1
23	357625-08	HHB 1/4-28 x .50	1




ENGINEERING INCORPORATED
 TEL: 530-292-3133 - FAX: 530-292-3738
 ANGLED MAGNETO DRIVE 426-BAE-TFX