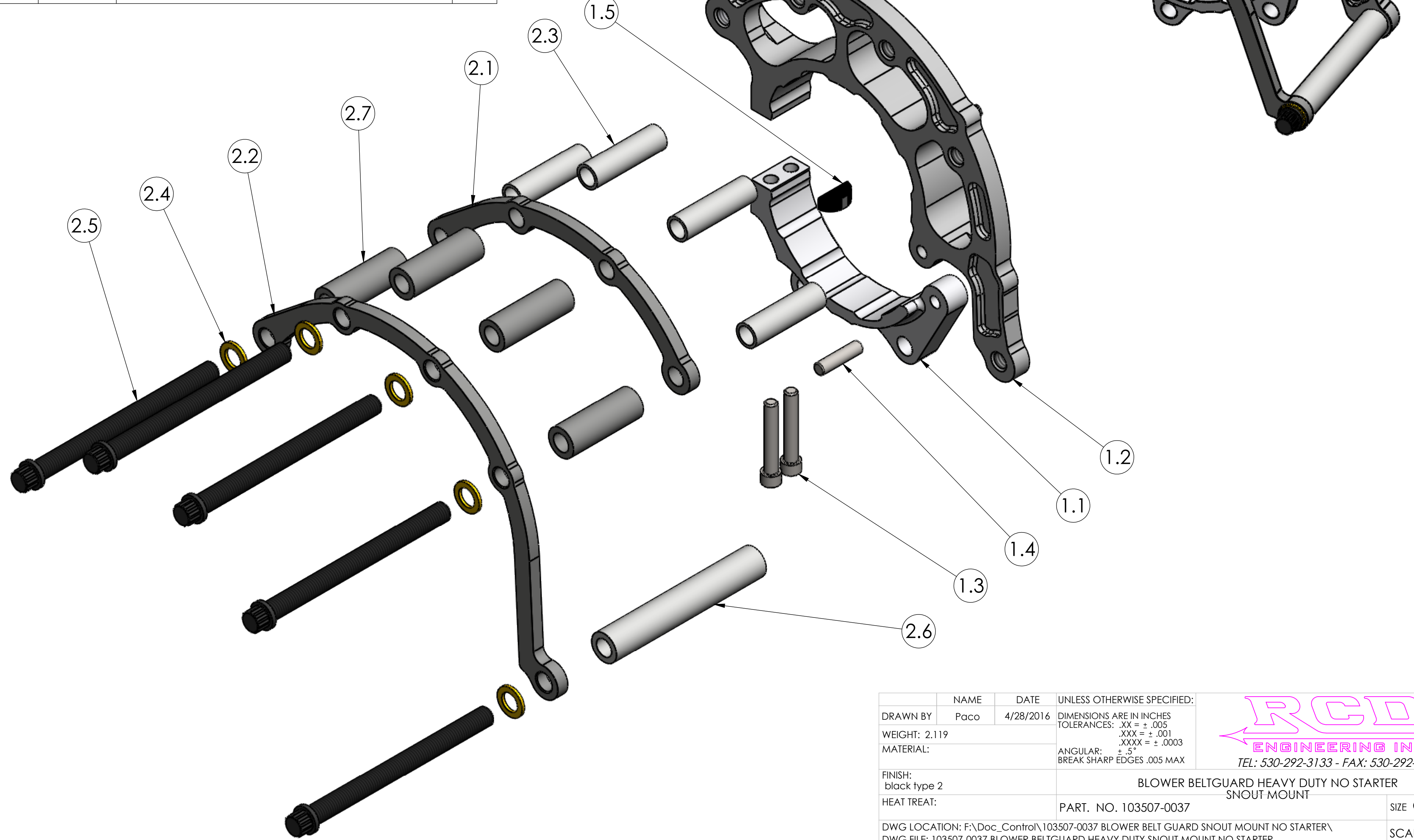



ITEM	PART NO.	DESCRIPTION	QTY.
1	103507-0052	FACE PLATE SNOUT NO STARTER MOUNT ASSY	1
1.1	103507-53	FACE PLATE CAP 2 PC FUNNY CAR	1
1.2	103507-52	FACE PLATE W-SNOUT CLAMP 2 PC NO STARTER MOUNT	1
1.3	357425-24	SHCS 1/4-20 x 1.50	2
1.4	353513-16	DP 1/4 x 1.0	1
1.5	354510-25	WOODRUFF KEY #806	1
2	103507-0040	BLOWER BELT GUARD HEAVY DUTY REPLACEMENT GUARD	1
2.1	103507-72	CENTER BRACE HD BELT GUARD	1
2.2	103507-70	FRONT BRACE HD BELT GUARD	1
2.3	103517-20X	STAND .50 X 1.75 HD BELT GUARD	4
2.4	352503-06	3/8 AN WASHER	5
2.5	356337-72	3/8-16 X 4.50 12PT	5
2.6	103517-27	STAND 0.625 X 4.00 HD BELT GUARD	1
2.7	103517-22	STAND 0.625 X 1.75 HD BELT GUARD	4



NAME	DATE	UNLESS OTHERWISE SPECIFIED:	 TEL: 530-292-3133 - FAX: 530-292-3738
DRAWN BY: Paco	4/28/2016	DIMENSIONS ARE IN INCHES TOLERANCES: .XX = ± .005 .XXX = ± .001 .XXXX = ± .0003 ANGULAR: ± .5° BREAK SHARP EDGES .005 MAX	
WEIGHT: 2.119		BLOWER BELTGUARD HEAVY DUTY NO STARTER	
MATERIAL:		SNOUT MOUNT	
FINISH: black type 2		PART. NO. 103507-0037	SIZE C REV
HEAT TREAT:			SCALE: 1:1.25
DWG LOCATION: F:\Doc_Control\103507-0037 BLOWER BELT GUARD SNOUT MOUNT NO STARTER\			SHEET 1 OF 1
DWG FILE: 103507-0037 BLOWER BELTGUARD HEAVY DUTY SNOUT MOUNT NO STARTER			
MODEL LOCATION: F:\Doc_Control\103507-0037 BLOWER BELT GUARD SNOUT MOUNT NO STARTER\			
MODEL FILE: 103507-0037 BLOWER BELTGUARD HEAVY DUTY SNOUT MOUNT NO STARTER			