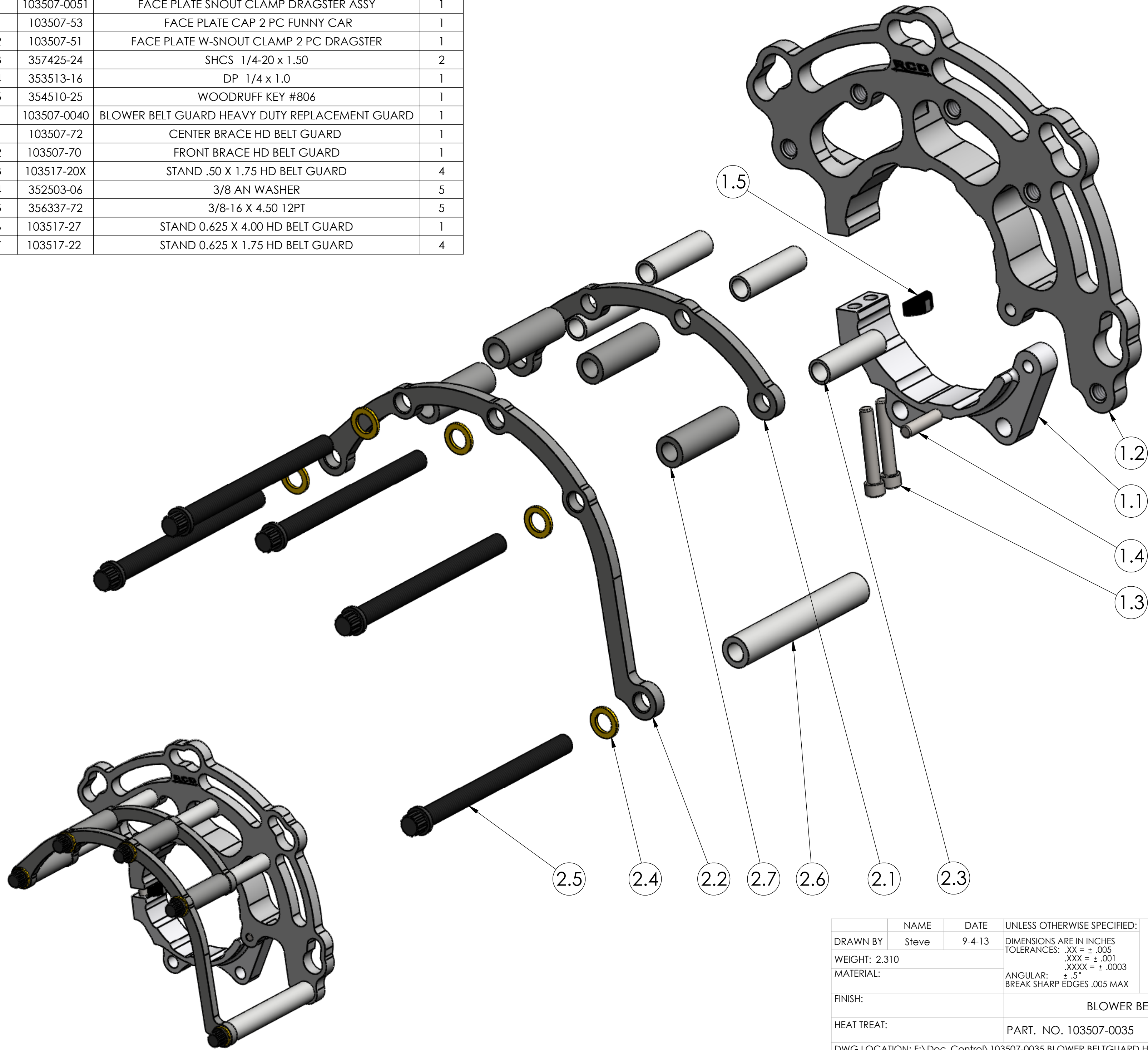



| ITEM | PART NO.    | DESCRIPTION                                    | QTY. |
|------|-------------|--|------|
| 1    | 103507-0051 | FACE PLATE SNOOT CLAMP DRAGSTER ASSY           | 1    |
| 1.1  | 103507-53   | FACE PLATE CAP 2 PC FUNNY CAR                  | 1    |
| 1.2  | 103507-51   | FACE PLATE W-SNOOT CLAMP 2 PC DRAGSTER         | 1    |
| 1.3  | 357425-24   | SHCS 1/4-20 x 1.50                             | 2    |
| 1.4  | 353513-16   | DP 1/4 x 1.0                                   | 1    |
| 1.5  | 354510-25   | WOODRUFF KEY #806                              | 1    |
| 2    | 103507-0040 | BLOWER BELT GUARD HEAVY DUTY REPLACEMENT GUARD | 1    |
| 2.1  | 103507-72   | CENTER BRACE HD BELT GUARD                     | 1    |
| 2.2  | 103507-70   | FRONT BRACE HD BELT GUARD                      | 1    |
| 2.3  | 103517-20X  | STAND .50 X 1.75 HD BELT GUARD                 | 4    |
| 2.4  | 352503-06   | 3/8 AN WASHER                                  | 5    |
| 2.5  | 356337-72   | 3/8-16 X 4.50 12PT                             | 5    |
| 2.6  | 103517-27   | STAND 0.625 X 4.00 HD BELT GUARD               | 1    |
| 2.7  | 103517-22   | STAND 0.625 X 1.75 HD BELT GUARD               | 4    |



|  |       |                             |  |
|--|-------|-----------------------------|--|
| NAME   | DATE  | UNLESS OTHERWISE SPECIFIED: | <br>TEL: 530-292-3133 - FAX: 530-292-3738 |
| DRAWN BY   | Steve | 9-4-13                      |  |
| WEIGHT:  | 2.310 | DIMENSIONS ARE IN INCHES    |  |
| MATERIAL:  |       | TOLERANCES: .XX = ± .005    |  |
| FINISH:  |       | .XXX = ± .001               |  |
| HEAT TREAT:  |       | .XXXX = ± .0003             |  |
|  |       | ANGULAR: ± .5°              |  |
|  |       | BREAK SHARP EDGES .005 MAX  |  |
| BLOWER BELTGUARD HEAVY DUTY DRAGSTER   |       |                             |  |
| PART. NO. 103507-0035  |       |                             | SIZE C REV   |
| DWG LOCATION: F:\Doc_Control\103507-0035 BLOWER BELTGUARD HEAVY DUTY DRAGSTER\   |       |                             | SCALE: 1:2   |
| DWG FILE: 103507-0035 BLOWER BELTGUARD HEAVY DUTY DRAGSTER                       |       |                             | SHEET 1 OF 1   |
| MODEL LOCATION: F:\Doc_Control\103507-0035 BLOWER BELTGUARD HEAVY DUTY DRAGSTER\ |       |                             |  |
| MODEL FILE: 103507-0035 BLOWER BELTGUARD HEAVY DUTY DRAGSTER                     |       |                             |  |