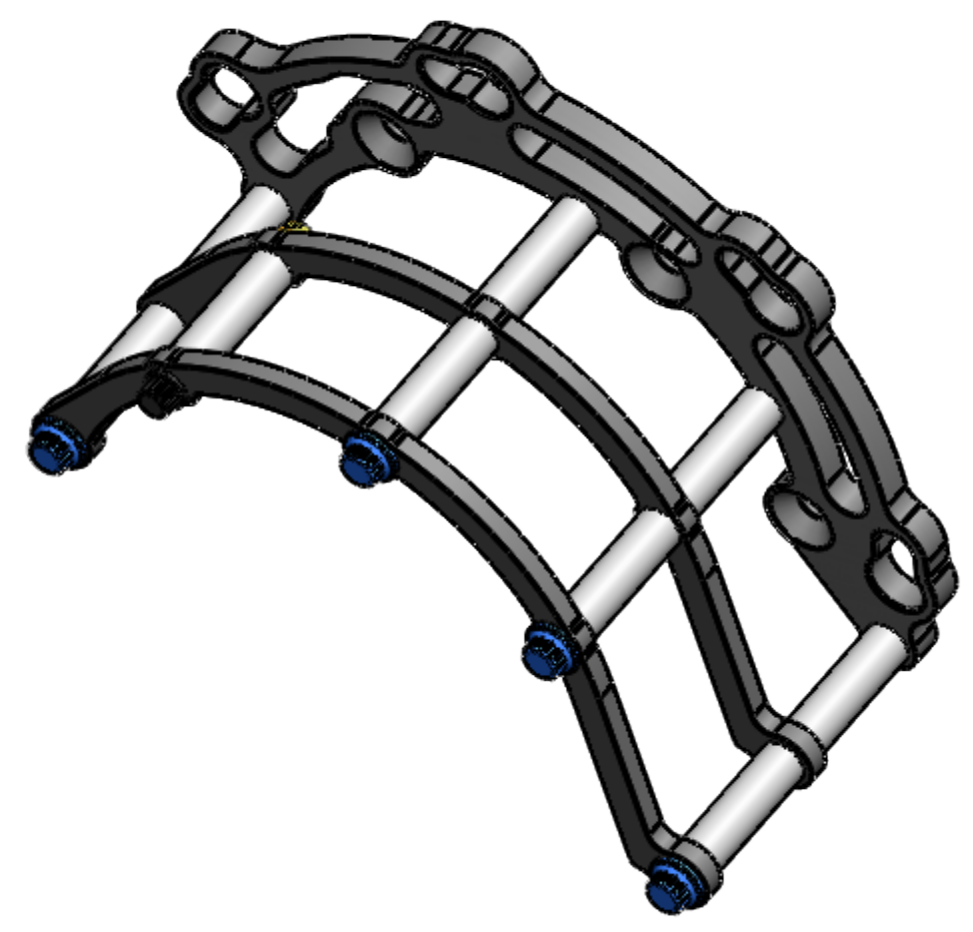
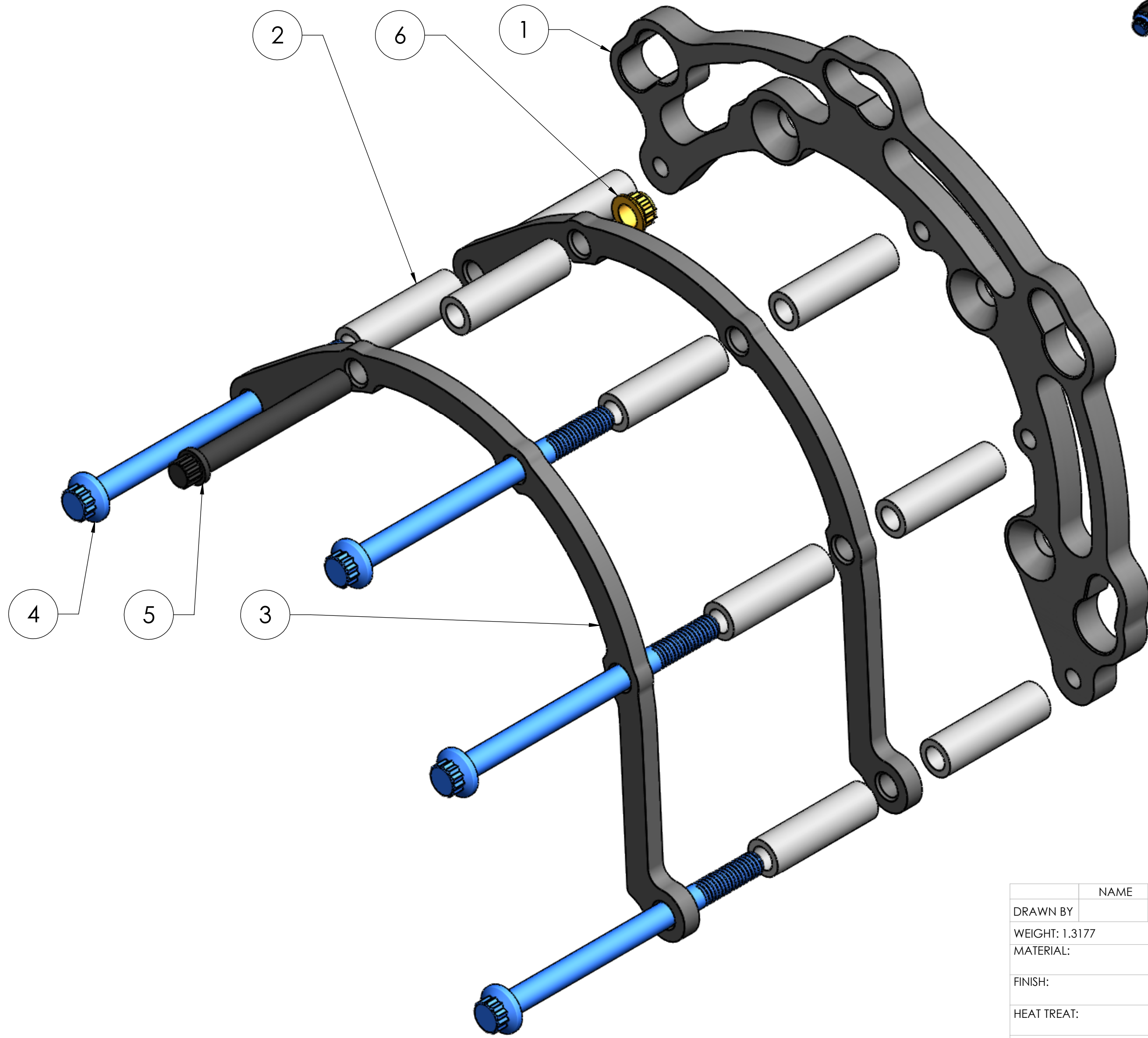



ITEM	PartNo	DESCRIPTION	QTY.
1	103507-08	3 HOLE SSI KOBELCO HEAVY DUTY FACEPLATE	1
2	103517-15	SPACER .316 x .50 x 1.688 LONG	9
3	103507-74	FRONT BRACE HD BELT GUARD	2
4	356331-68	BOLT 12 PT .312-18 x 4.25 LONG	4
5	356231-40	5/16-24 X 2.500 12PT	1
6	355931-10	5/16-24 12P NAS NUT	1



NAME	DATE	UNLESS OTHERWISE SPECIFIED:	 TEL: 530-292-3133 - FAX: 530-292-3738
DRAWN BY		DIMENSIONS ARE IN INCHES TOLERANCES: .XX = ± .005 .XXX = ± .001 .XXXX = ± .0003	
WEIGHT: 1.3177		ANGULAR: ± .5°	
MATERIAL:		BREAK SHARP EDGES .005 MAX	
FINISH:	BLOWER BELT GUARD 3 HOLE SSI HEAVY DUTY		
HEAT TREAT:	PART. NO. 103507-0008	SIZE C	REV
DWG LOCATION: F:\Doc_Control\103507-0008 3 HOLE SSI HEAVY DUTY BELT GUARD WITH STARTER\			SCALE: 1:1
DWG FILE: 103507-0008 3 HOLE SSI BELT GUARD HEAVY DUTY WITH STARTER			SHEET 1 OF 1
MODEL LOCATION: F:\Doc_Control\103507-0008 3 HOLE SSI HEAVY DUTY BELT GUARD WITH STARTER\			
MODEL FILE: 103507-0008 3 HOLE SSI BELT GUARD HEAVY DUTY WITH STARTER			