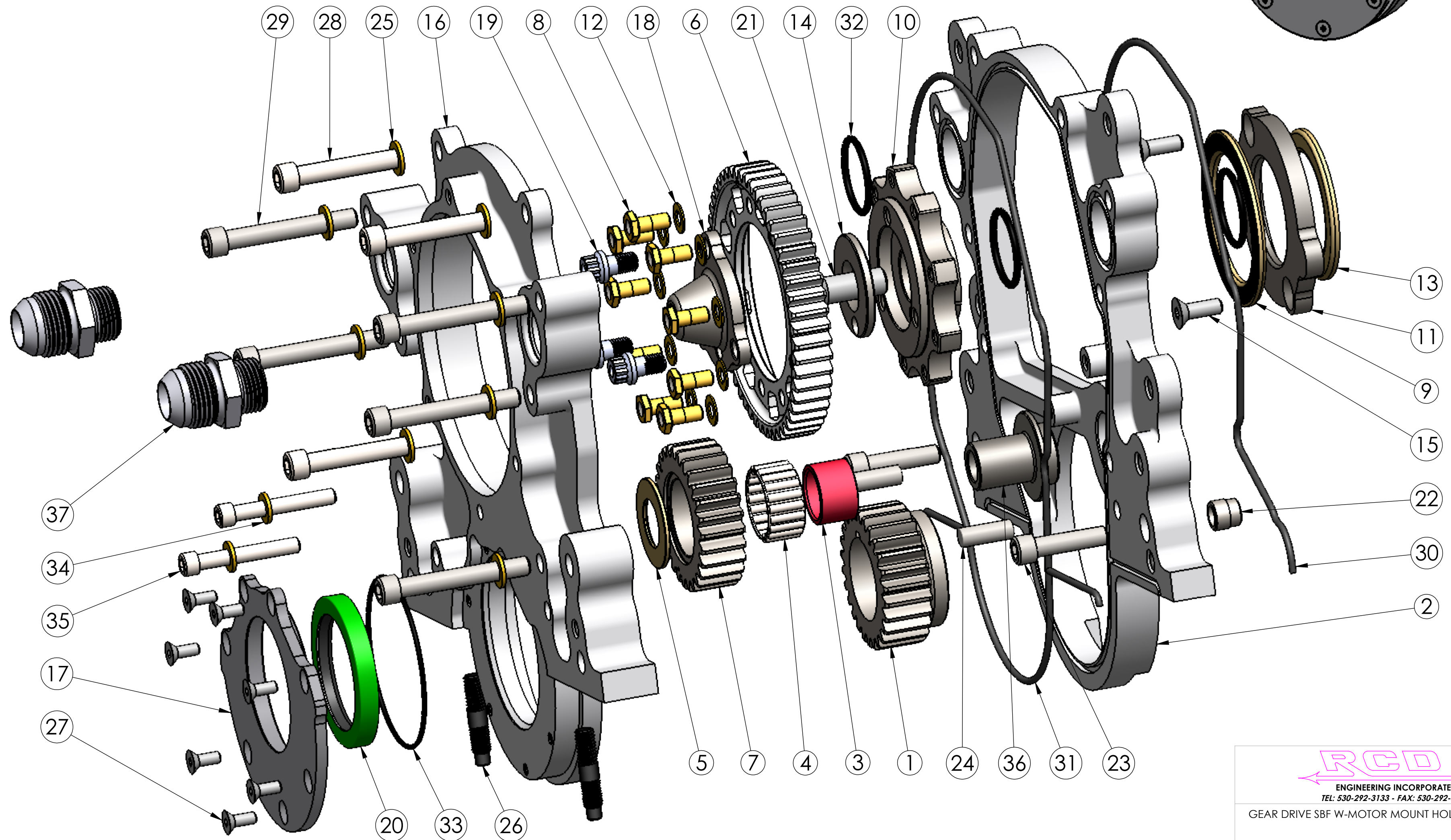
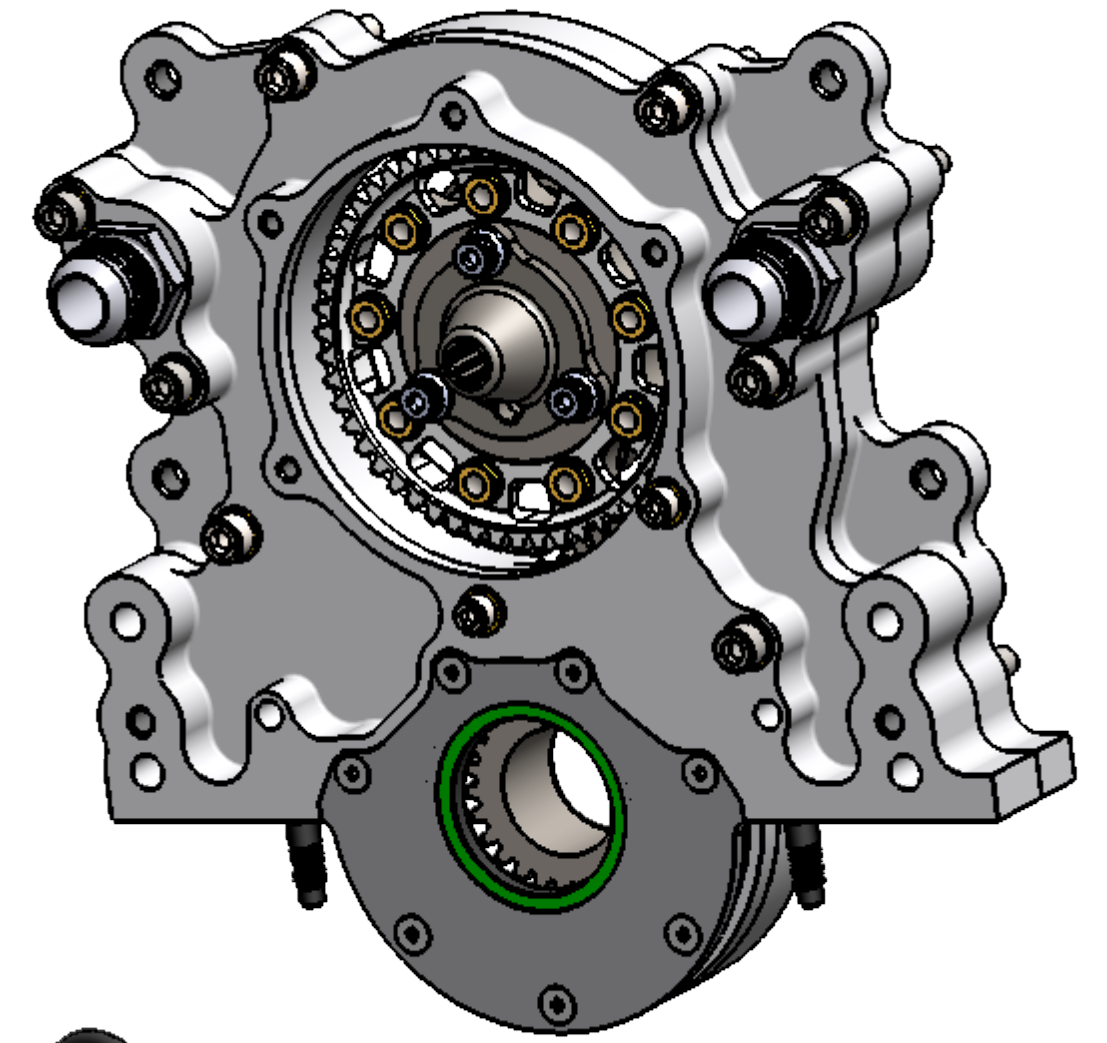


ITEM	PartNo	DESCRIPTION	QTY.
1	250521-01	SBF CRANK GEAR 26T 12DP STD	1
2	251100-02	BASE PLATE SBF GEAR DRIVE W-MOTOR MOUNT	1
3	350555-20	BRG ROLLER INNER RACE NAST 20ZZ	1
4	350555-20	Roller and Cage Assy	1
5	350555-20	BRG SIDE PLATE NAST 20ZZ	1
6	250521-65	CAM GEAR 52 TOOTH 12 DP 9 HOLE VERNIER	1
7	250521-36	IDLER GEAR SMALL BLOCK CHEVY 27 TOOTH 12 DP	1
8	357625-09	NAS1104-4 Hex Head Bolt 1/4-28 X .566	9
9	350590-65	2.125 X 2.895 X 0.141 ONE PC THRUST BRG W-RACES	1
10	251026-15	CAM HUB 9 HOLE SBF	1
11	251026-18	CAM THRUST PLATE SBF	1
12	352515-04	1/4 AN WASHER 0.03 THK	9
13	350590-42	1.75 X 2.5 X 0.141 ONE PC THRUST BRG W-RACES	1
14	251026-19	WASHER CAM HUB	1
15	357125-12	FHCS 1/4-20 X .75 TORX	2
16	251100-11	FRONT PLATE SBF GEAR DRIVE	1
17	251100-25	SEAL HOUSING CRANK SBF	1
18	251026-17	CAM DRIVE .375 HEX SBF	1
19	357931-08	0.312-24 x 0.55 12pt CAM GEAR BOLT	3

ITEM	PartNo	DESCRIPTION	QTY.
20	351505-18565	1.875 X 2.502 X 0.313 SEAL NEOPRENE 1 LIP	1
21	357243-20	FHCS TORX 7/16-20 x 1.25	1
22	251100-21	RING DOWEL SBF STK BLOCK	2
23	357431-20	SHCS 5/16-18 x 1.25	2
24	353514-14	DP 5/16 x .875	2
25	352503-05	5/16 AN WASHER	8
26	353014-18	0.312 X 1.125 OILPAN STUD	2
27	356810-08	FHCS 10-32 x .50	7
28	357431-28	SHCS 5/16-18 x 1.75	3
29	357431-36	SHCS 5/16-18 x 2.25	5
30	351569-15	O-RING ROPE SBF BASE PLATE TO BLK .103 x 25	1
31	351569-15	O-RING ROPE SBF BASE PLATE TO COVER .103 x 33	1
32	351552-22	122 "O" RING .103 x 1.125 ID	4
33	351550-39	039 "O" RING 0.07 X 2.75	1
34	352503-04	1/4 AN WASHER	2
35	357425-28	SHCS 1/4-20 x 1.75	2
36	251506-20	AXLE IDLER GEAR SBF	1
37	300558-1012AL	FITTING AN-10 PORT TO AN-12 LINE 1.125 HEX	2



ENGINEERING INCORPORATED
 TEL: 530-292-3133 - FAX: 530-292-3738
 GEAR DRIVE SBF W-MOTOR MOUNT HOLES-10 AN PORTS