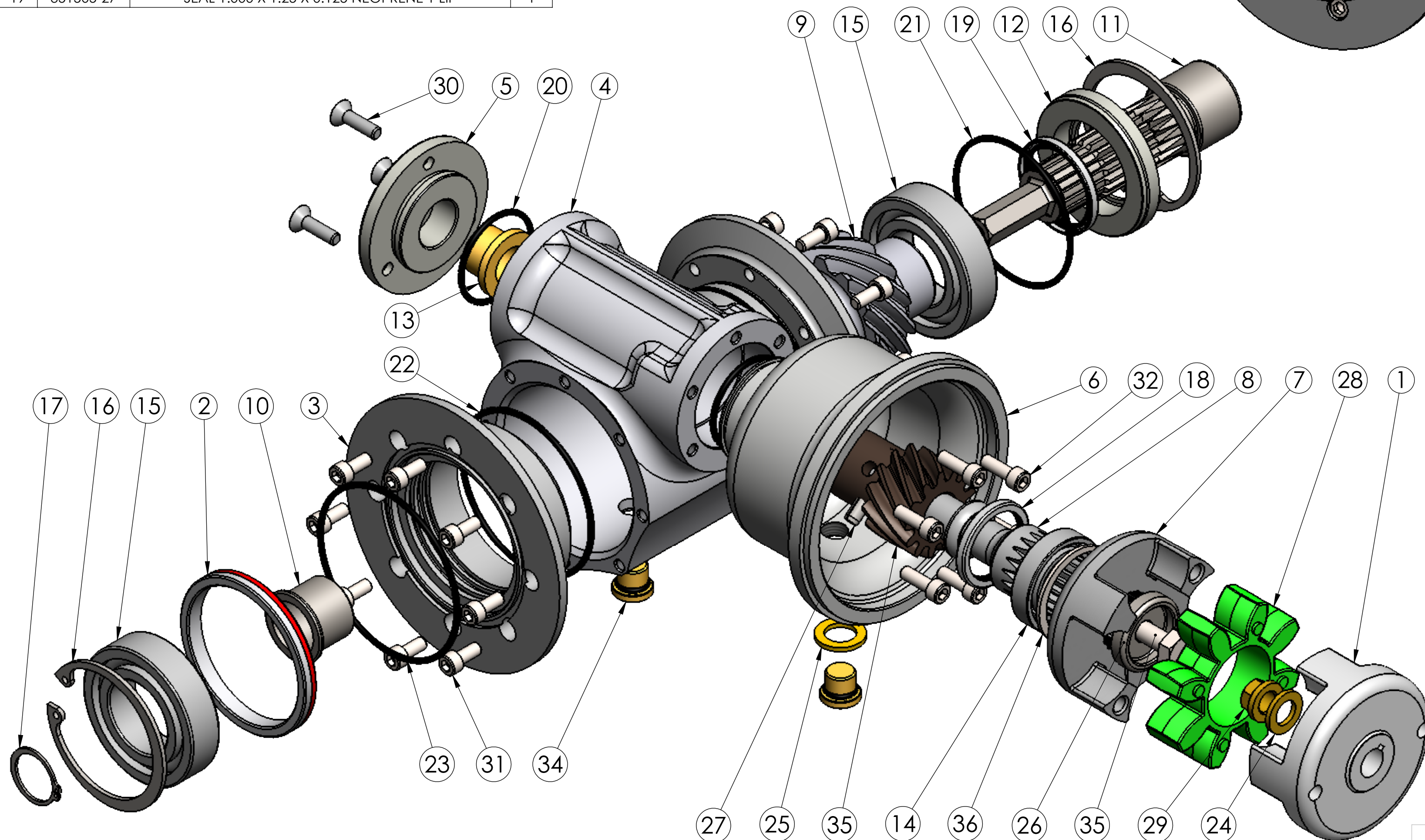
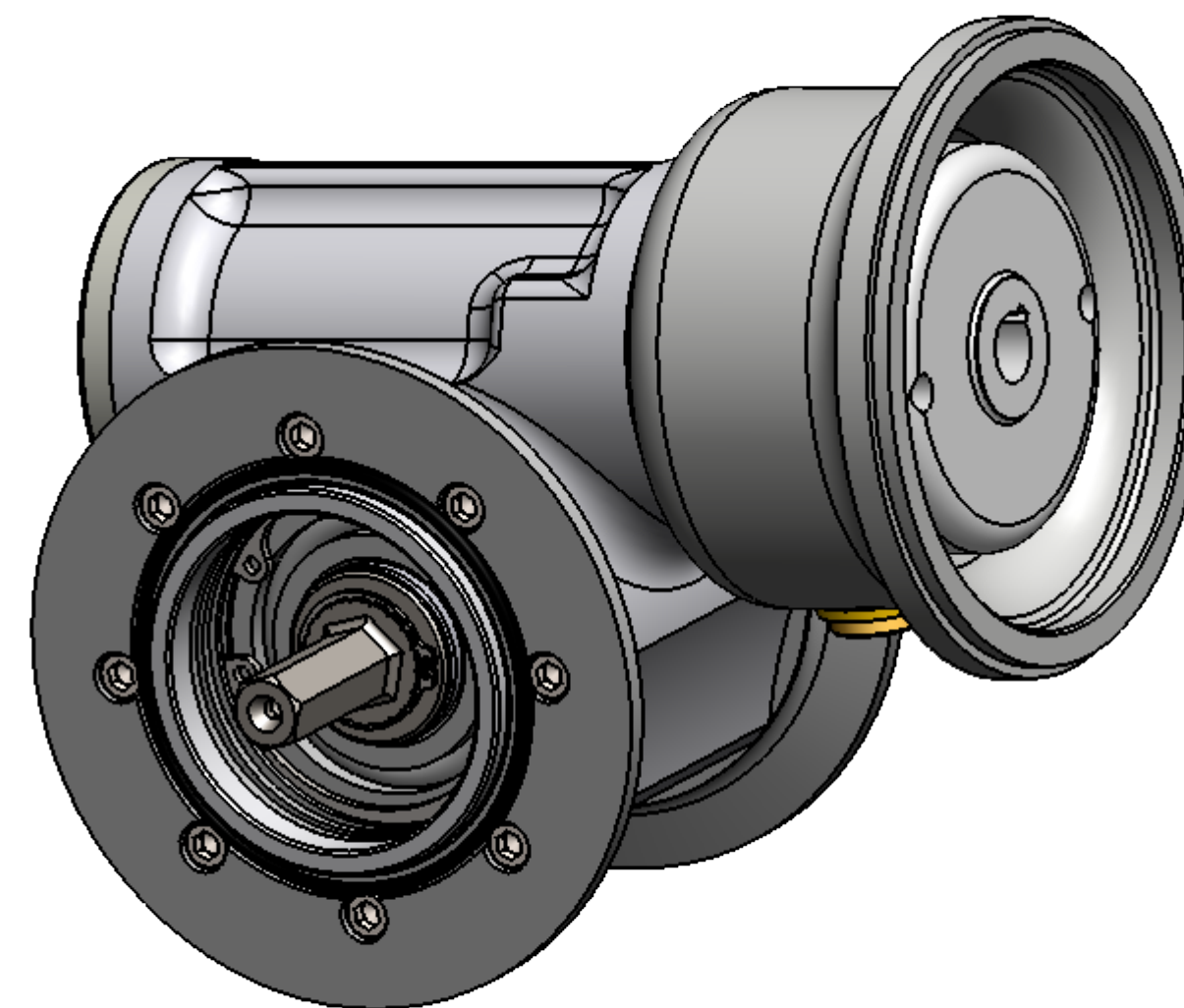


| ITEM | PART NO. | DESCRIPTION | QTY. |
|------|------------|--|-------|
| 1 | 301830-02 | COUPLER HALF MSD MAGNETO | 1 |
| 2 | 302506-01 | RING SIDE FLANGE CHANGE | 1 |
| 3 | 302507-10 | SIDE FLANGE DRIVEN FRONT MAG DRIVE | 2 |
| 4 | 302507-11 | HOUSING FRONT MAG DRIVE BOLT ON STYLE | 0.677 |
| 5 | 302507-12 | HOUSING CAP FRONT MAG DRIVE | 1 |
| 6 | 302507-13 | HOUSING EXTENSION FOR MSD 44 | 1 |
| 7 | 302507-14 | COUPLER HALF ROTEX SPLINED w-magnet pocket | 1 |
| 8 | 302507-15 | OUTPUT SHAFT MAG DRIVE 90 DEGREE SPLINE W-SEAL | 1 |
| 9 | 302521-07 | GEAR DRIVER W-SPLINE 90 DEG MAG DRIVE | 1 |
| 10 | 302521-09 | SLEAVE FOR SPLINED INPUT SHAFT | 1 |
| 11 | 302521-27 | INPUT SHAFT FRONT MAG DRIVE 90 DEG SPLINE .375 HEX | 1 |
| 12 | 302526-45 | SEAL RETAINER FRONT MAG DRIVE | 1 |
| 13 | 302526-60 | BUSHING BRONZE MC-7815K29 | 1 |
| 14 | 350522-13 | 20 X 32 X 7 BALL BRG DBL SEAL | 1 |
| 15 | 350522-20 | 6005 25 X 47 X 12 BALL BRG DBL SEAL | 2 |
| 16 | 351005-185 | SNAP RING INT 1.85 HOUSING x .062 | 2 |
| 17 | 351010-66 | SNAP RING EXT .669 SHAFT | 1 |
| 18 | 351505-21 | 0.875 X 1.125 X 0.125 SEAL NEOPRENE 1 LIP | 1 |
| 19 | 351505-27 | SEAL 1.000 X 1.25 X 0.125 NEOPRENE 1 LIP | 1 |

| ITEM | PART NO. | DESCRIPTION | QTY. |
|------|------------|---------------------------------------|------|
| 20 | 351550-24 | 024 "O" RING .070 X 1.125 | 2 |
| 21 | 351550-24 | 024 "O" RING .070 X 1.125 | 1 |
| 22 | 351550-34 | 034 "O" RING 0.70 X 2.125 | 2 |
| 23 | 351550-35 | 035 "O" RING .07 X 2.25 | 2 |
| 24 | 352503-05 | 5/16 AN WASHER | 1 |
| 25 | 352503-06 | 3/8 AN WASHER | 1 |
| 26 | 352504-04 | WASHER 0.2 THK 0.98 DIA W-C-BORE | 1 |
| 27 | 353533-16 | 3/16 x 1.00 SPRING PIN SLOTTED | 1 |
| 28 | 354910-25 | ROTEX SPYDER #24 GREEN | 1 |
| 29 | 355431-10 | 5/16-24 NUT HEX FLANGED LOCK | 1 |
| 30 | 356808-10 | FHCS 8-32 X 0.625 | 3 |
| 31 | 357308-06 | SHCS 8-32 x .375 | 16 |
| 32 | 357308-08 | SHCS 8-32 x .50 | 6 |
| 35 | 357625-08 | HHB 1/4-28 x .50 | 1 |
| 34 | 359950-03 | -3 AN PLUG | 2 |
| 35 | 302521-41 | GEAR DRIVEN 13T RH 32.5 HELIX 14.15DP | 1 |
| 36 | 351005-118 | SNAP RING INT 1.188 HOUSING x .05 | 1 |



FRONT MAGNETO DRIVE CCW ROTATION .375 HEX