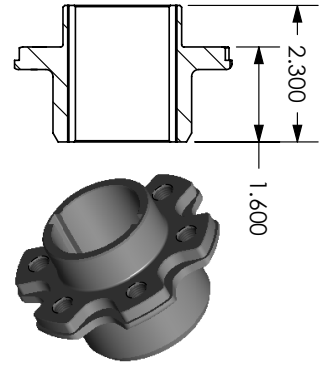
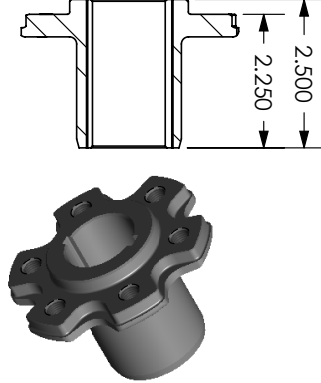


RCD

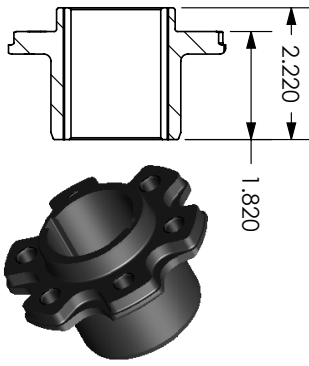
ENGINEERING INC.



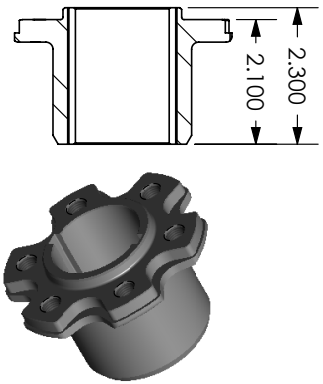
P/N: 202403-02 Crank Hub Short BBC
P/N: 202403-03 Crank Hub Short Titanium BBC



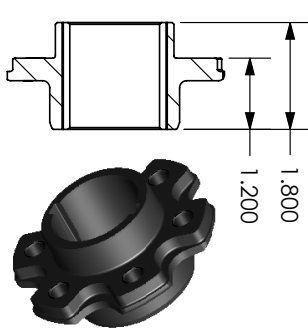
P/N: 202203-05 Crank Hub Long SBC



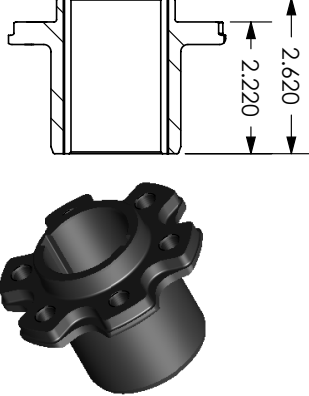
P/N: 202803-02 Crank Hub Short 392/417 Chrysler



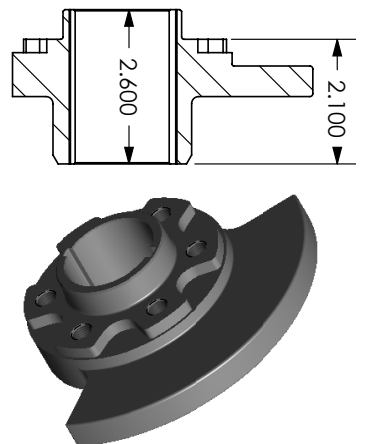
P/N: 202403-04 Crank Hub Long BBC



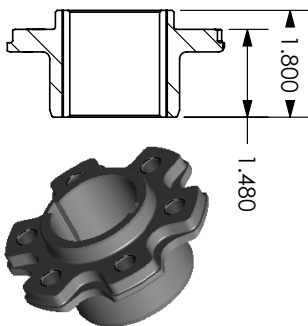
P/N: 202603-02 Crank Hub Short 426 Chrysler
P/N: 202603-03 Crank Hub Short Titanium 426 Chrysler



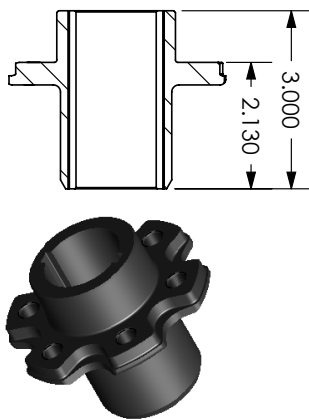
P/N: 202803-04 Crank Hub Long 392/417 Chrysler



P/N: 202403-09 Crank Hub Long Counter Balance BBC



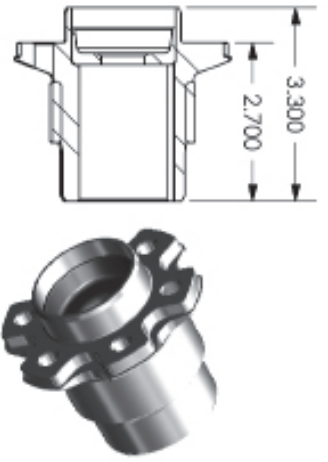
P/N: 202603-04 Crank Hub Long 426 Chrysler



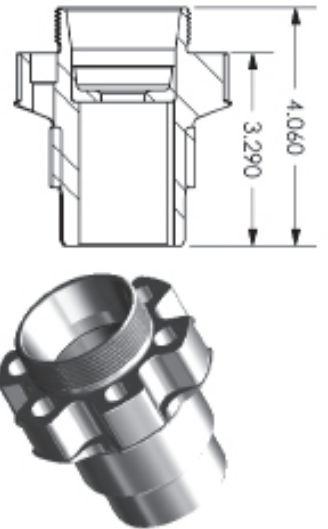
P/N: 203003-03 Crank Hub STD 429 Ford

RCD

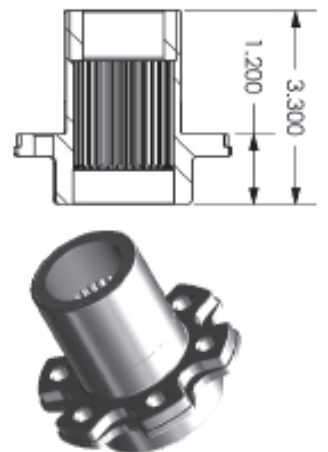
ENGINEERING INC.



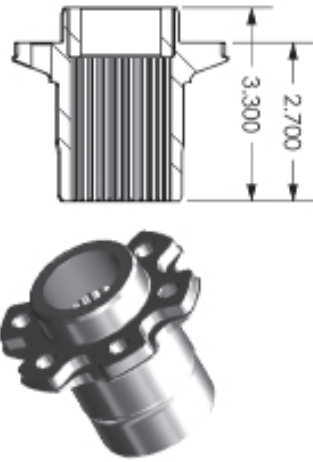
P/N: 202600-0008 Crank Hub Rear Bearing Support 426 Chrysler W/Bearing Race
 P/N: 202600-0009 Crank Hub Rear Bearing Support 426 Chrysler Titanium W/ Bearing Race



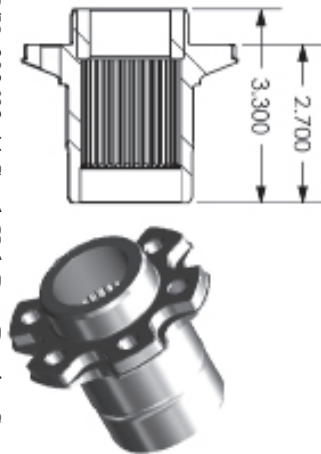
P/N: 202600-0011 Crank Hub Rear Bearing Support Threaded 426 Ti W/Bearing Race



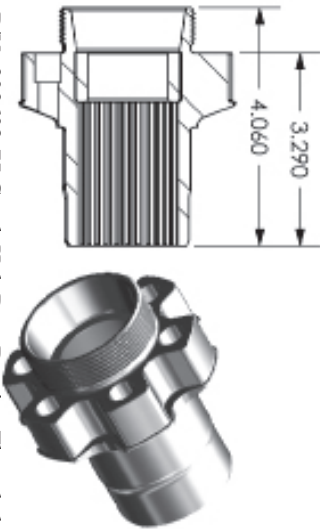
P/N: 202603-38 Crank Hub Short RCD Spline 426 Chrysler W/insert
 P/N: 202603-40 Crank Hub Short RCD Spline 426 Chrysler Ti W/insert



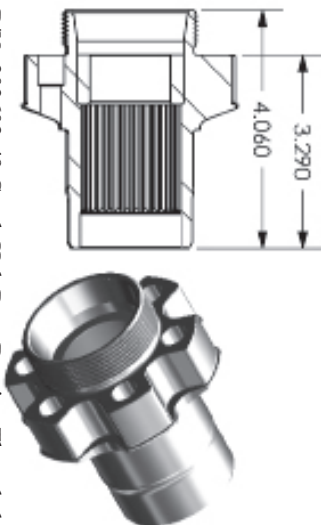
P/N: 202603-70 Crank Hub Rear Bearing Support PSI Spline 426 Chrysler Ti W/insert
 P/N: 202603-71 Crank Hub Rear Bearing Support PSI Spline 426 Chrysler W/insert



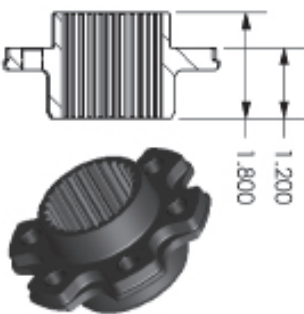
P/N: 202603-44 Crank Hub Rear Bearing Support RCD Spline 426 Chrysler W/insert
 P/N: 202603-45 Crank Hub Rear Bearing Support RCD Spline 426 Chrysler Ti W/insert



P/N: 202603-75 Crank Hub Rear Bearing Threaded PSI Spline 426 Chrysler Ti W/insert
 P/N: 202603-76 Crank Hub Rear Bearing Threaded PSI Spline 426 Chrysler W/insert



P/N: 202603-49 Crank Hub Rear Bearing Threaded RCD Spline 426 Chrysler W/insert
 P/N: 202603-50 Crank Hub Rear Bearing Threaded RCD Spline 426 Chrysler Ti W/insert



P/N: 202603-80 Crank Hub PSI Spline 426 Chrysler Short